

Range T

Cod. PRP1592

## Description:

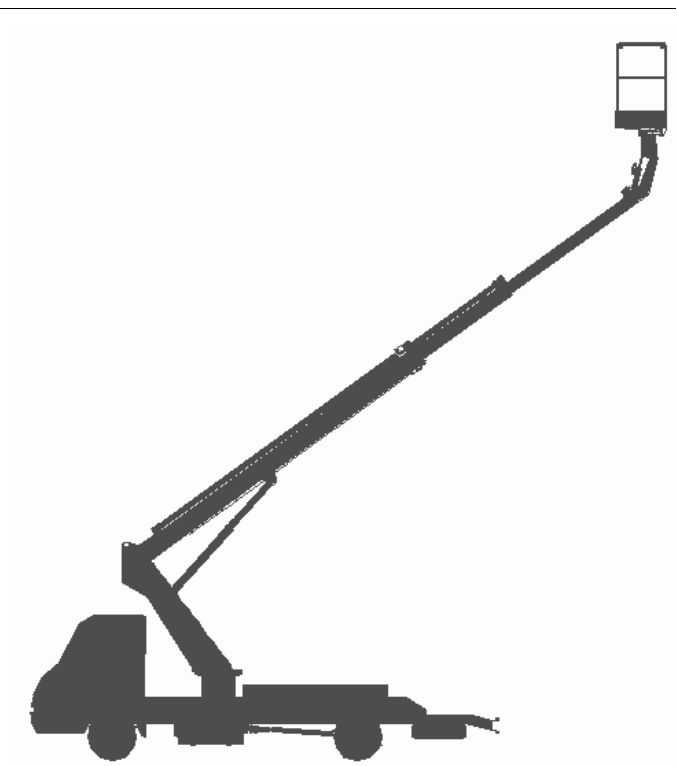
Telescopic platform, fully hydraulic with high specifications of strength, reliability and easy maintenance. Specifically designed to fulfill the high standard of quality requested by professional users, ensuring a long working life and a high residual value.

## Performances

Working height mt.		17.10
Max load in the basket kg.	† †   †	250   80
Max working outreach mt.	† †   †	7.25   9.90
Turret rotation °		450
Hose track		Internal
Controls in the basket		Hydraulic multifunctions joystick

## Platform specifications

Metal basket dimensions mt.	1.40x0.70
Fiberglass basket dimensions mt.	1.20x0.70
Basket rotation °	70 + 70
Front outriggers	Vertical
Back outriggers	Vertical
Foot plate gauge min. mt.	2.15



## Assembling

This assembly represents the compact version where the outrigger width is retained within the dimension of the vehicle mirrors, maximizing the advantages of the narrow dimensions of the unit.

Deck	Anti-slip aluminium deck
Body	Purposely designed assembly to optimize functionality and utilization
Standards	Declaration of Conformity
Accessories	There are available a wide range of accessories, many of them are already included as standard machine. It is recommended to contact our sales network for more information.

## Other types of assembling and different vehicles

We are in position to propose the same machine with different type of assembly and / or on different types of vehicles. Contact our sales organization to obtain information about all the possible solutions that we are able to offer.

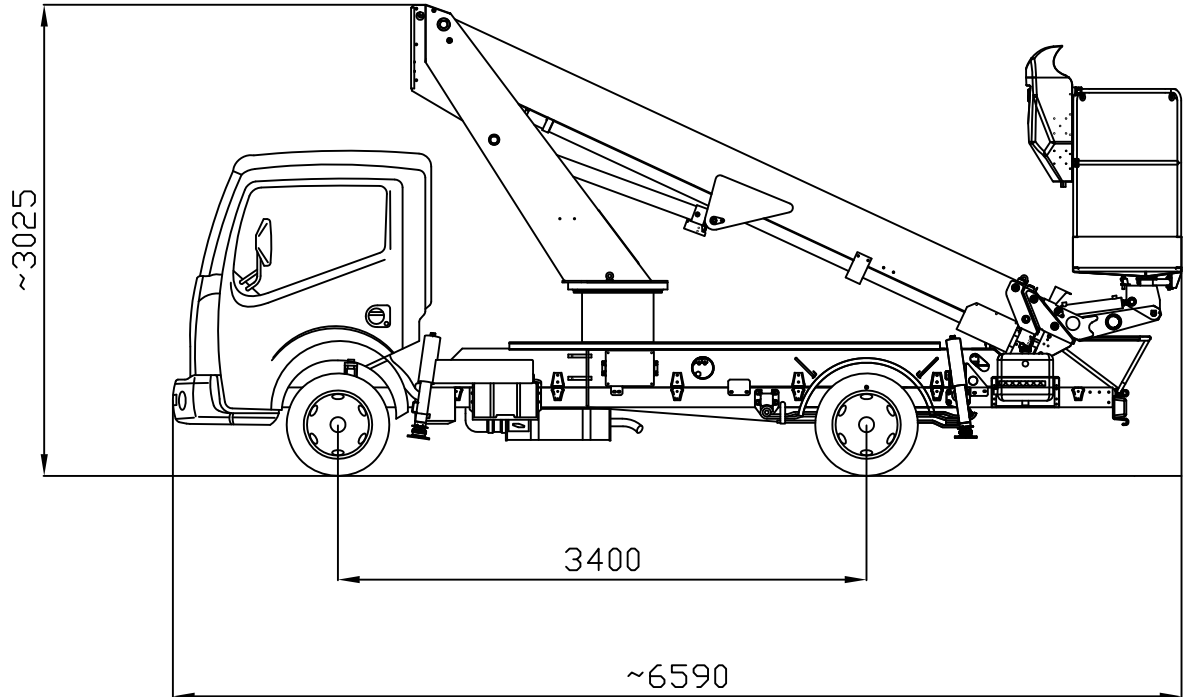
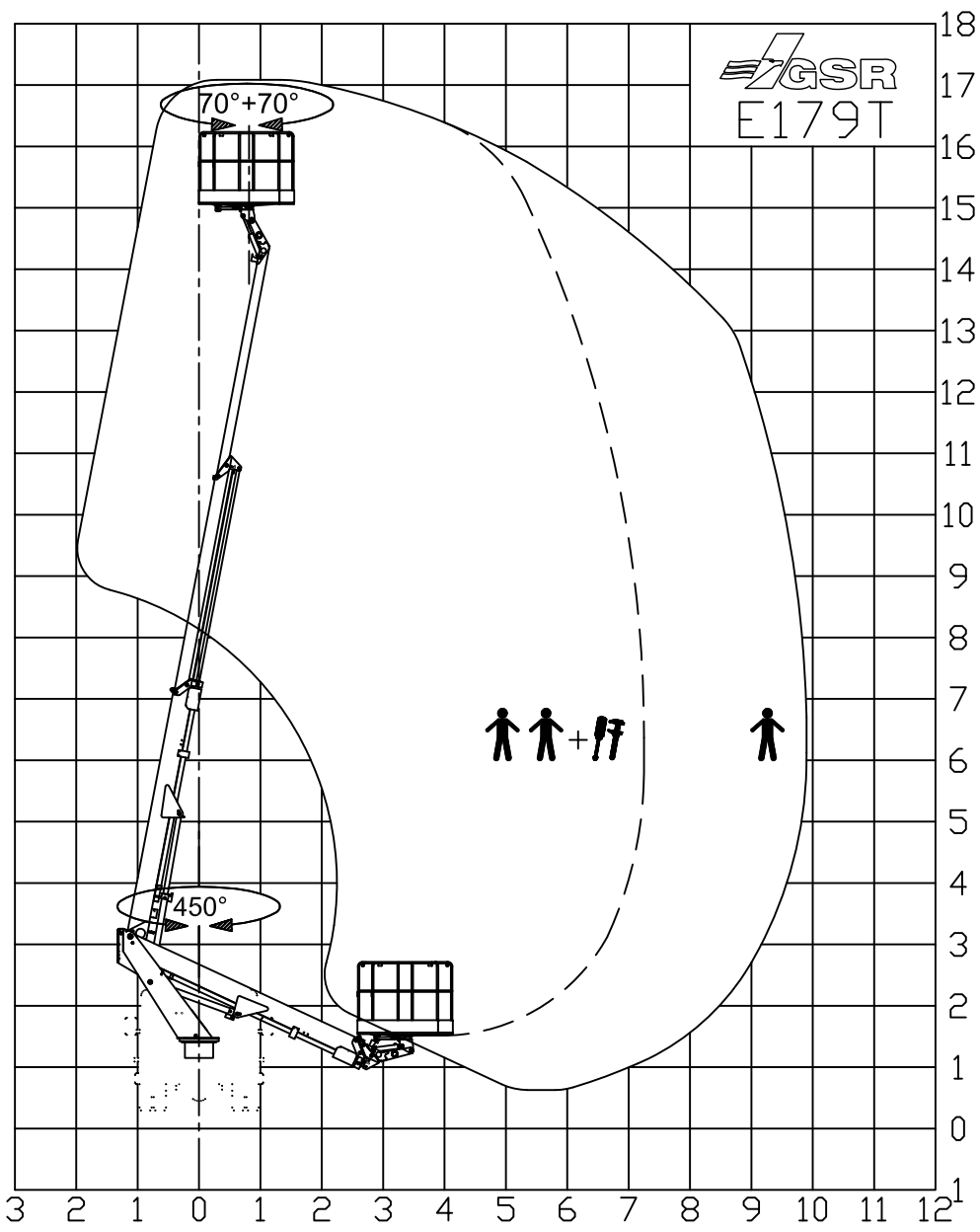


Via Lea Giaccaglia 5 – 47924 Rimini (RN) Italy  
Tel. +39 0541 397811 Fax +39 0541 384491  
sales@gsrspa.it - www.gsrspa.it

Company with Quality Management System Certified by DNV - ISO 9001:2008

Dati indicativi soggetti a modifica senza preavviso - Subject to modifications without prior note.

E179T1592R0 / GB



MAX SAFE WORKING LOAD	 = 250 KG
MAX NENNTRAGFAHIGKEIT IM KORB	
MAX CHARGE NOMINALE DANS LE PANIER	
MAX PORTATA NOMINALE IN NAVICELLA	



DENOMINAZIONE  
**E179T Compact VV**  
 NISSAN NT400 - 3,5 t

DATE 27-03-2015  
 CODE PRP1592

APROXIMATE DATA - TECNICHE AENDERUNGEN VORBEHALTEN  
 DONNES INDICATIVES - DATI INDICATIVI  
 Aggiornamenti - Modifiche:

C	F
B	E
A	D