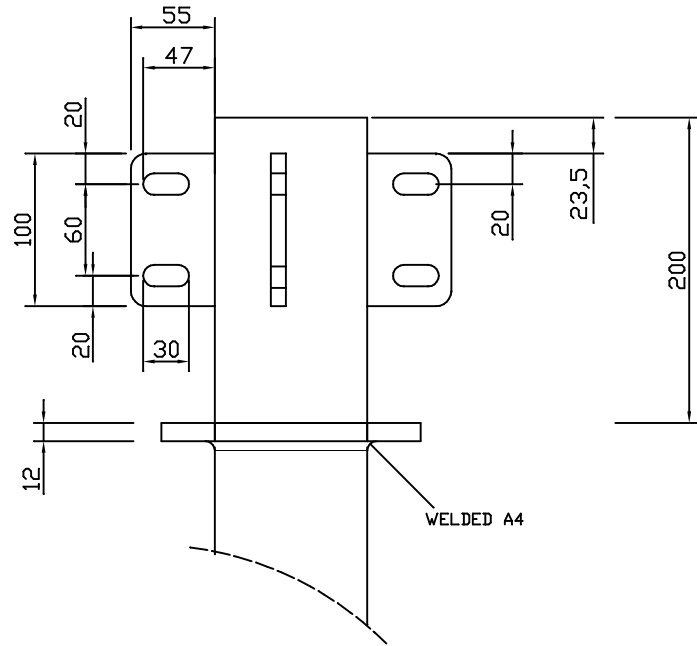
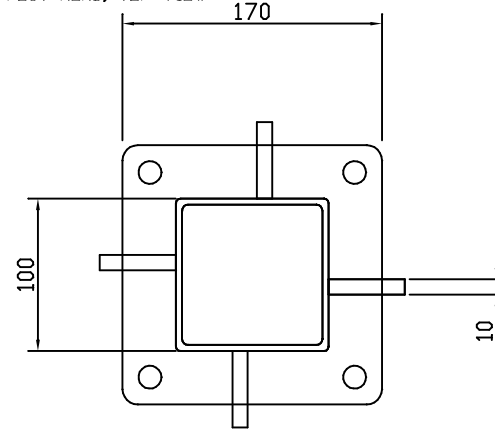


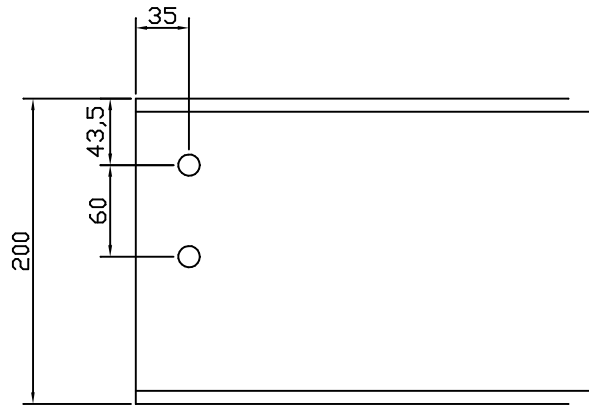
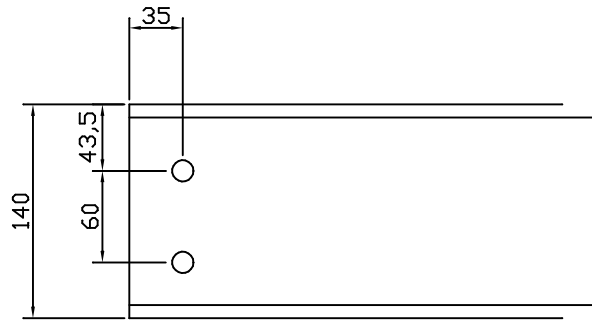
POST HEAD, SIDE VIEW



POST HEAD, TOP VIEW



IPE BEAM, SIDE VIEW



NOTE	NOTE	ADJUSTMENT NOTE	DATE	SIGN.
DETAIL POST CONSTRUCTION				
PROJECT NUMBER 03-002-A		ACCOUNT MANAGER		
DATE		DRAWN BY ANDERS LUNDBERG		
PROJECT DESCRIPTION				
SCALE 1:50/A4		NUMBER POST/IPE BEAM		