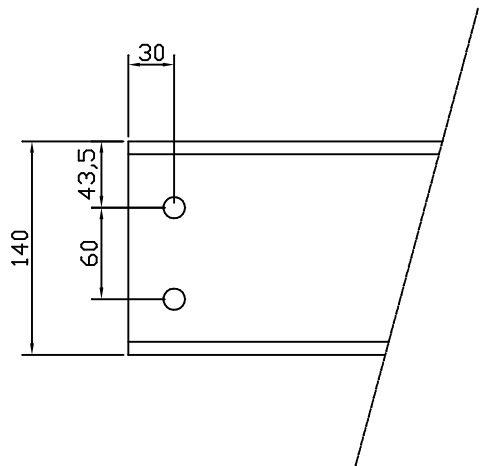
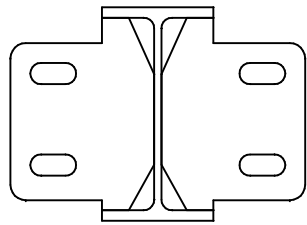
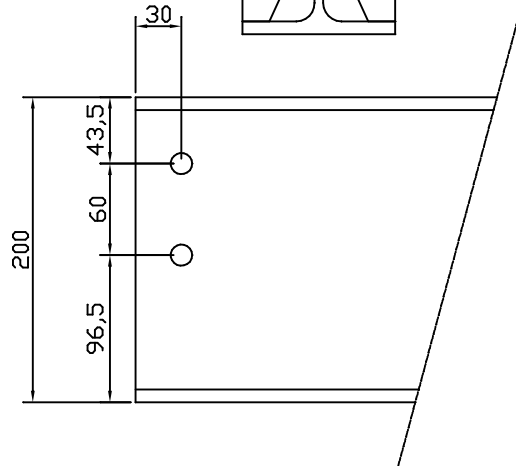
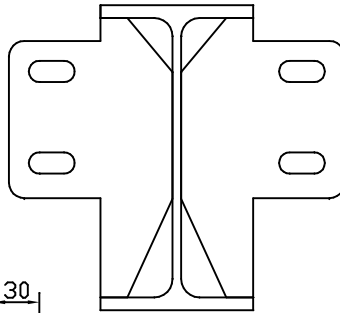


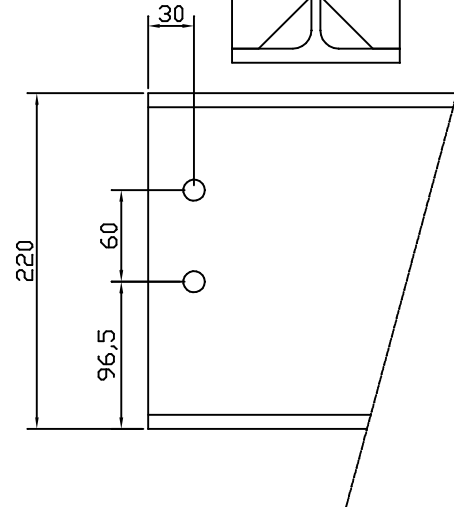
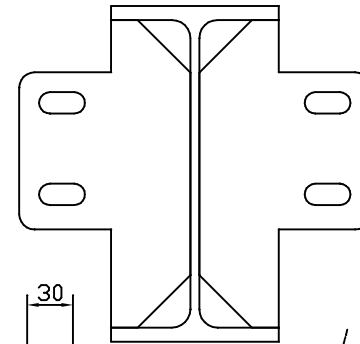
IPE 140



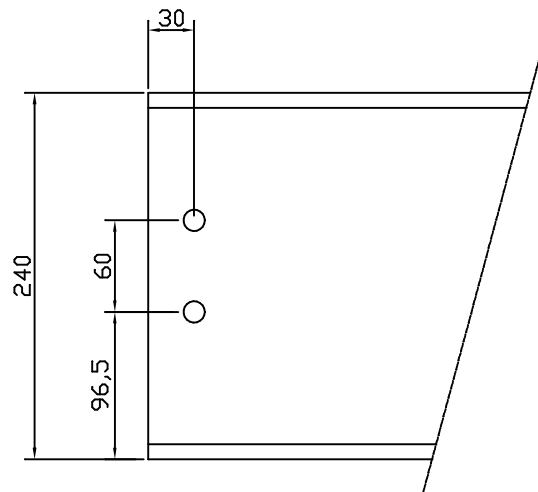
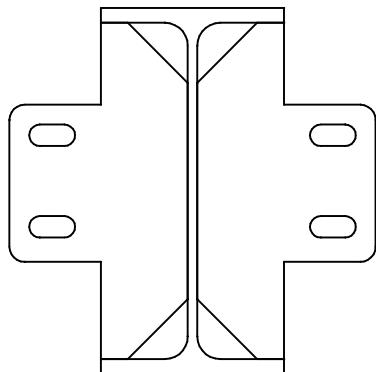
IPE 200



IPE 220



IPE 240



NOTE	NOTE	ADJUSTMENT NOTE	DATE	SIGN.
<b>DETAIL BEAM + FITTING</b>				
PROJECT NUMBER 03-002-A		ACCOUNT MANAGER		
DATE		DRAWN BY ANDERS LUNDBERG		
PROJECT DESCRIPTION				
SCALE 1:50/A4		NUMBER 08A/BALK		