

MRT 1542



Lift capacity (on stabilisers).....4200 kg
at 500 mm from forks heels



Lift height :14.78 m



Tyres
18-22,5 16 PR



Forks (mm)
Length1200
Width x thickness150 X 50



Multidisc brakes : hydraulically assisted on both axles
Negative parking brake



Engine PERKINS

Type1004.40 Turbo
Capacity4 cyl. 3990 cm³
Power at 2300 rpm106 HP/78,5 kw
ISO/TR 14396
Water cooling
Direct injection



Transmissionhydrostatic
With automatic power regulation (hydraulic variable displacement pump and motor)
Reversing shiftelectromagnetic
2 speed forward and reverse
Travel speed25 km/h



Rear axle
Automatic rear axle locking system
at a rotation over 5 °



4 stabilisers
simultaneous or individually controlled



Rotation through 400°
Turret mounted on a double slew ring



Hydraulics
2 pumps gear type270 bars/115 l/mn



Control : 2 hydraulic proportional control joysticks for all hydraulic movements



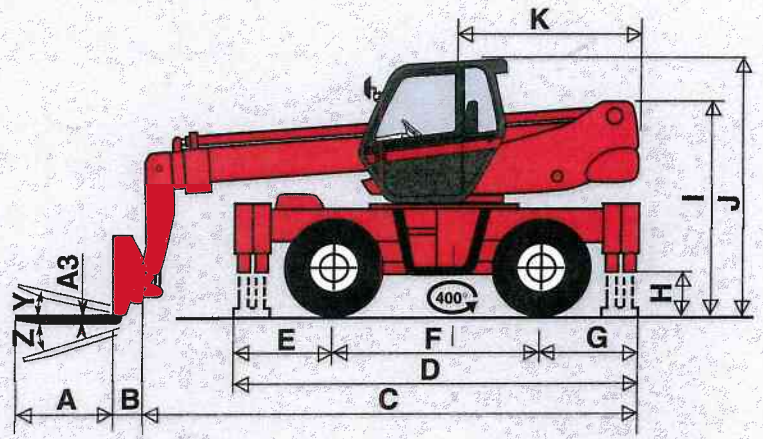
Capacities
Cooling system15 l.
Engine oil8,1 l.
Hydraulic oil140 l.
Fuel tank108 l.



Weight unladen (with forks)12980 kg
Overall width2.43 m
Overall height3.02 m
Overall length5.69 m
Ground clearance0.46 m
Drawbar pull10800 kg

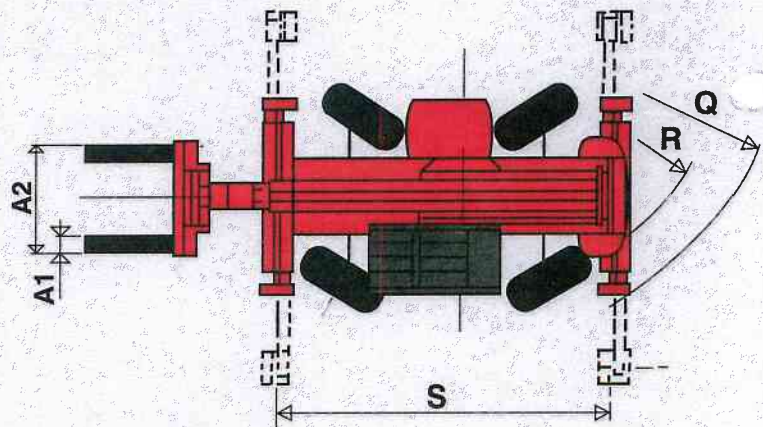
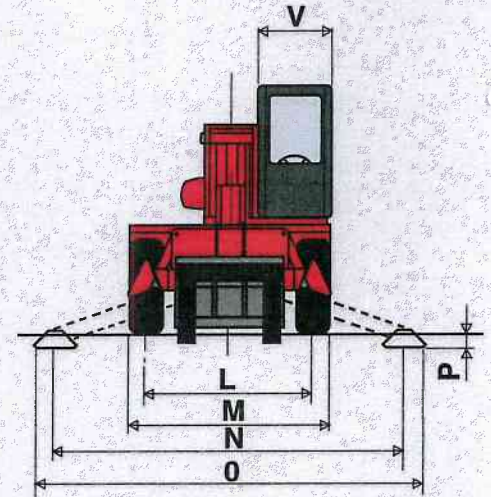


Standard load moment indicator
(mobile crane standards)



A	1200
A1	150
A2	1320
A3	50
B	290
C	5400
D	4630
E	1155
F	2320
G	1155
H	460
I	2410
J	3025
K	2040
L	1930
M	2425
N	4100
O	4500
P	200
Q	4000
R	3410
S	4100
V	950
Y	12°
Z	105°

mm



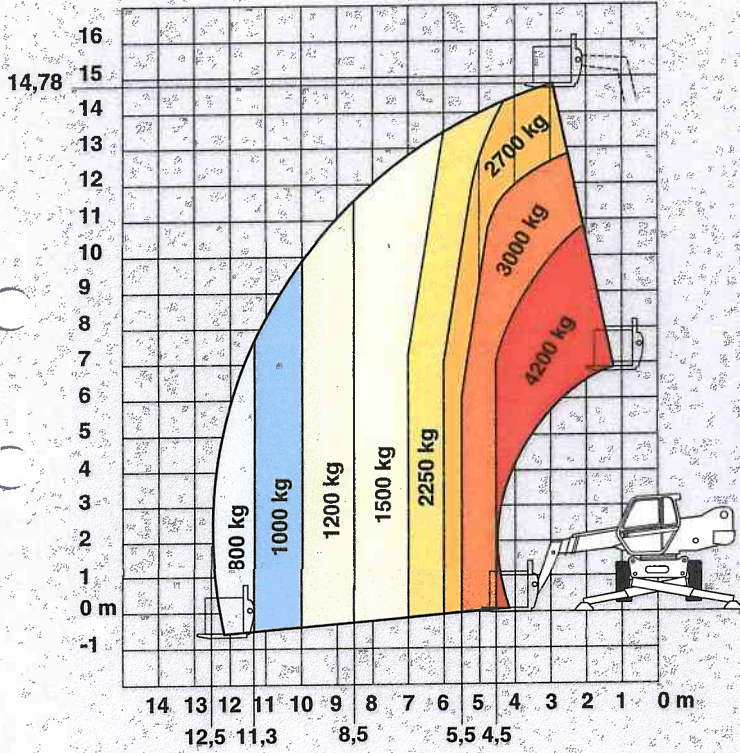
This publication in no way constitutes an offer and the company reserves the right to alter specification without prior notice.
The MANITOU models presented in this brochure can be supplied complete with optional equipment attachments.



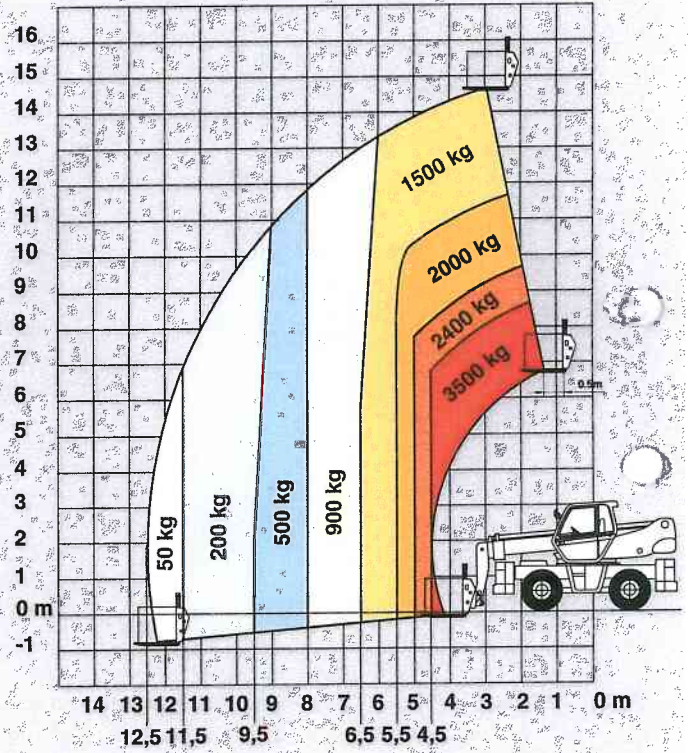
MANITOU B.F. S.A.

B.P. 249 - 44158 ANCENIS CEDEX - FRANCE
TEL : 33 2 40 09 10 11
EXPORT DEPARTMENT FAX : 33 2 40 09 10 97
www.manitou.fr

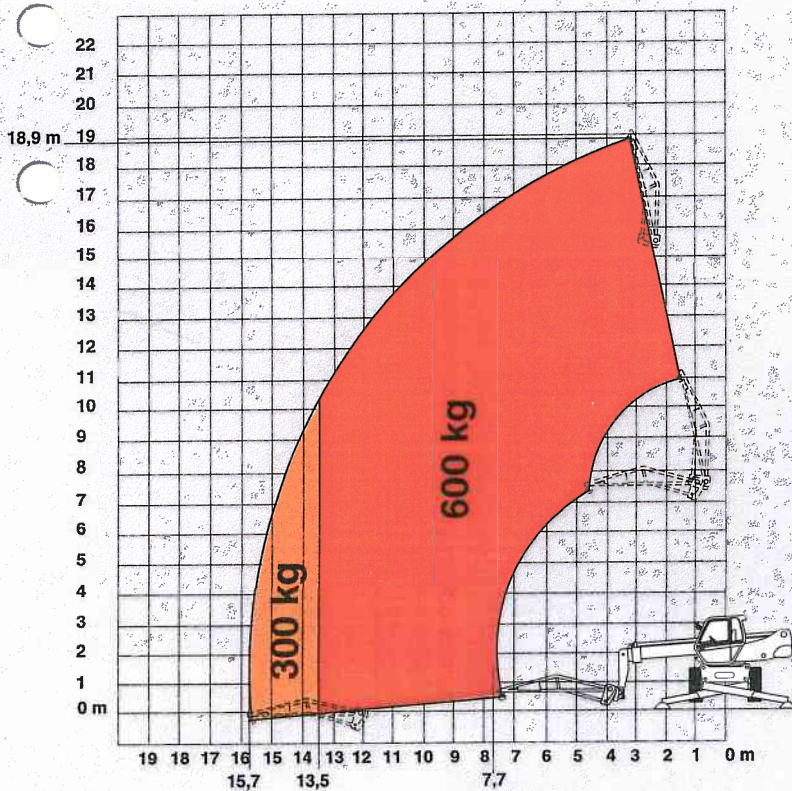
Rotation on stabilisers with forks



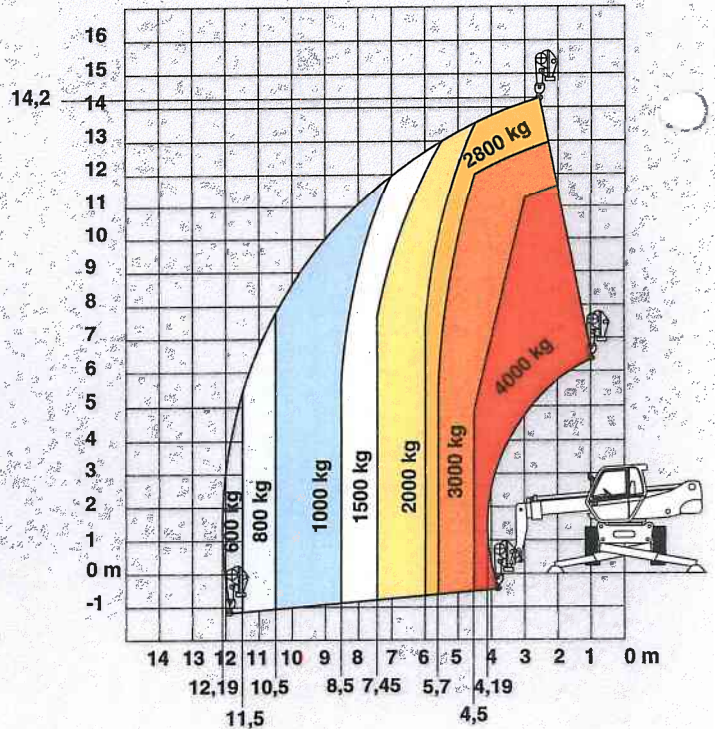
Frontal position (without stabilisers) with forks



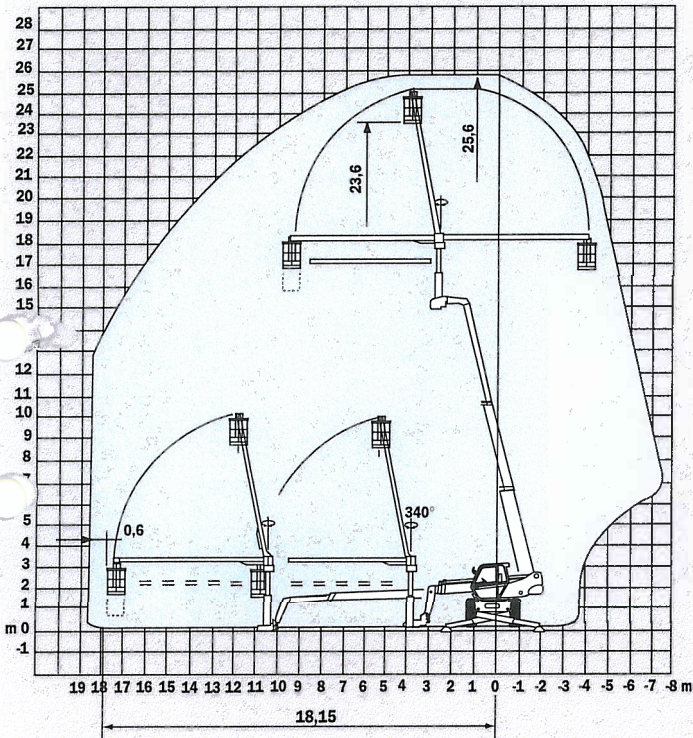
Rotation on stabilisers with jib (P 600)



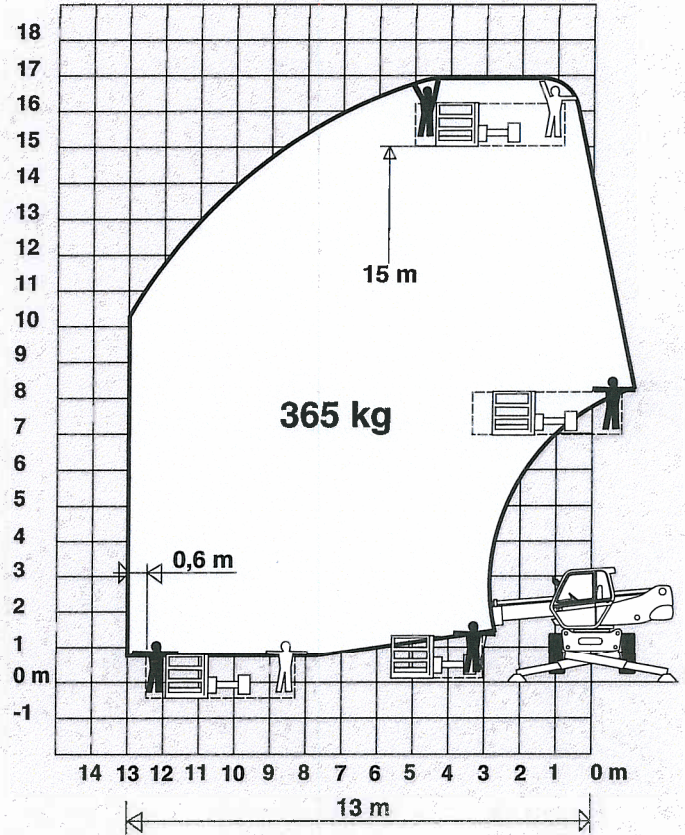
Rotation on stabilisers with winch



Rotation on stabilisers with 3D system
 (rotating suspended platform - Overhead chart)
 capacity : 200 kg or 2 pers.

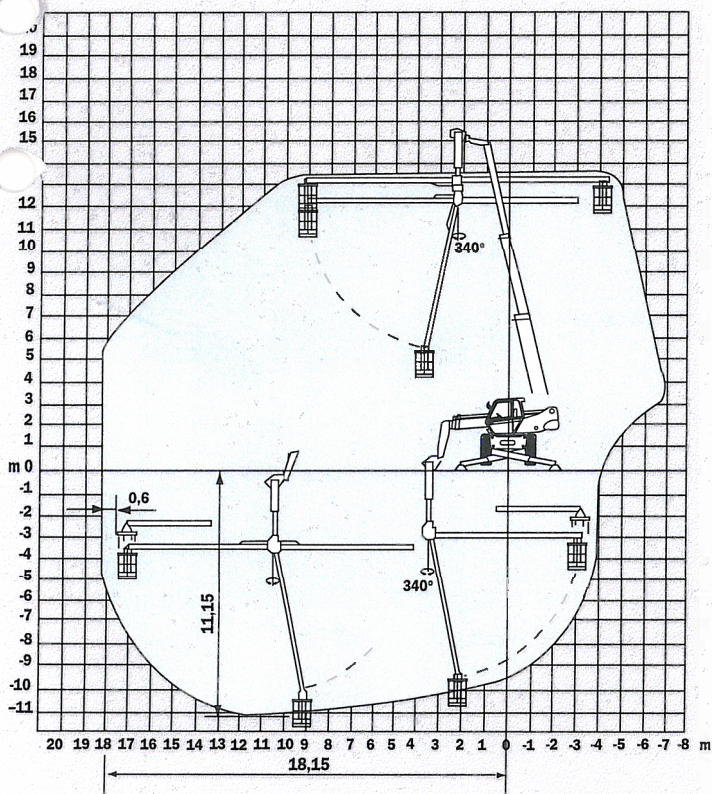


Rotation on stabilisers
 with platform ORH 2.25/4 m
 capacity : 365 kg or 3 pers



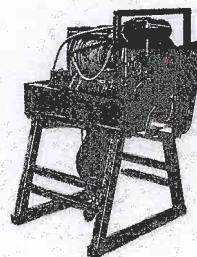
“EC” Type examination n° 7147600410798

Rotation on stabilisers with 3D system
 (rotating suspended platform - Underslung chart)
 capacity : 200 kg or 2 pers.

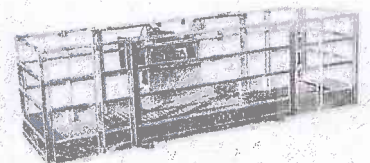


Versatility of equipment

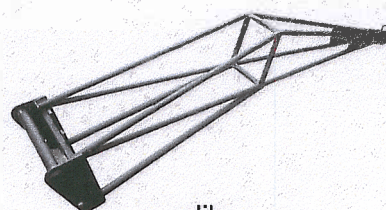
Equipment customised to order



Winch



Platform



Jib



Concrete skip