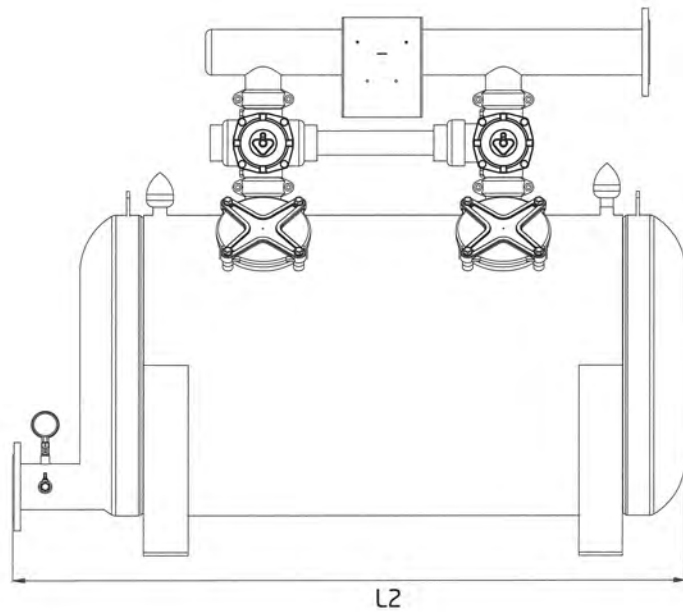
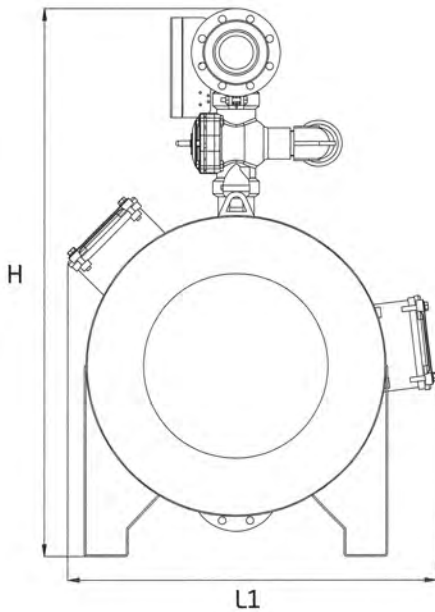


• Operation Principle (Manual)

Unlike automatic double gravel filtration, butterfly and ball valves are used instead of control panel and back-flushing valves. For this reason, the filter can be manually switched to the filtering or back-flushing mode when required.

• Available Model Dimensions

	Model	Inlet/Outlet Sizes	Tank Size	H		L1		L2		Recommended Flow Rate	
				mm	inch	mm	inch	mm	inch	m <sup>3</sup> /h	l/s
Automatic	ADG-500	2"	20"	1034	40,7	639	25,2	1098	43,2	11-21	3,1-5,8
	ADG-550	3"	22"	1074	42,3	674	26,5	1081	42,6	27-54	7,5-15
	ADG-750	4"	30"	1367	53,8	921	36,3	1685	66,3	42-85	11,7-23,6
	ADG-900	5"	36"	1542	60,7	1045	41,1	1771	69,7	66-132	18,3-36,7
Manual	MDG-500	2"	20"	1061	41,8	639	25,2	1098	43,2	11-21	3,1-5,8
	MDG-550	3"	22"	1102	43,4	671	26,4	1015	40,0	27-54	7,5-15
	MDG-750	4"	30"	1297	51,1	921	36,3	1685	66,3	42-85	11,7-23,6
	MDG-900	5"	36"	1476	58,1	1045	41,1	1771	69,7	66-132	18,3-36,7





### • Description

Armaş Double Gravel Filters are designed to use for the filtration of the water sources such as lake, dams, canals, creeks, water pools, etc. which has algae and organic matters. It provides easy usage and maintenance thanks to its unique design.

### • Operation Principle (Automatic)

Filter tank has two chambers. First chamber is distributor that dirty water entering in it. The section contains quartz sand and mushroom diffusers is named media. The media chamber consists of two regions. There are two separate cleaning chambers. The second chamber, clean water chamber is under the media. The mushroom plate separates 2 chambers from each other. There are two types of flow; filtration and backflushing function. Incoming dirty water from opening to gravel filter ports of backflushing valve is spread to inside of gravel filter homogeneously from distributor. The filtration is completed when the filtered water passed from mushrooms. Materials that accumulated in filter will cause pressure loss. It will cause reduce the passing filtered flow. In this case, filter is necessary to switch to the backflushing mode in order to clean the filter. In the backflushing mode, incoming filtered water from second chamber pass to mushroom diffuser plate. It act to accumulated dirt materials and provides to discharge from drain line of 3 way valve. At this time, connected ball valve section of 3 way valve is open, other port is close. All directions do manually. All of the media chamber don't switch to backflushing mode at the same time. While one side of the gravel is doing backflushing, the other side continue to filtration.

#### • Filtration Mode



#### • Back-Flushing Mode

